

MINIMUM SPACE REQUIREMENTS FOR ENCLOSED PLUMBING FIXTURE SUPPORTS

This chart is for Architects, Plumbing Engineers, Contractors and others who specify enclosed wall supports for off-the-floor plumbing fixtures.

The specific purpose is to insure that specifiers provide sufficient wall space to properly install and conceal the types of supports shown.

All dimensions shown are minimum and can be increased to accommodate required variations or accessories.

The types of fixture supports shown are detailed in ANSI A112.6.1M.



The Plumbing and Drainage Institute

800 Turnpike~ Street ~Suite 300~ North Andover, MA 01845

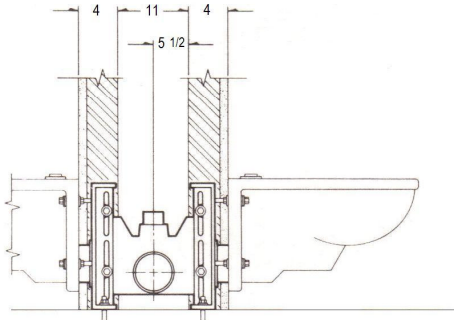
Phone: 800-589-8956 ~ Fax: 978-557-0721

Web: www.PDIonline.org ~ E-Mail: pdi@PDIonline.org

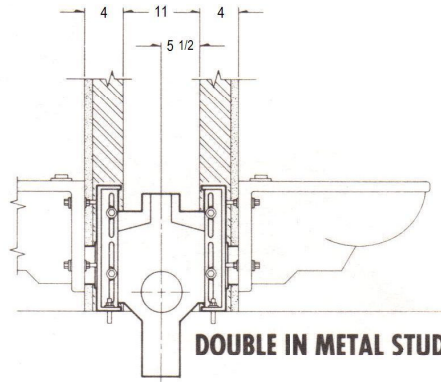
MINIMUM SPACE REQUIREMENTS FOR ENCLOSED PLUMBING FIXTURE SUPPORTS

Horizontal Adjustable Carriers

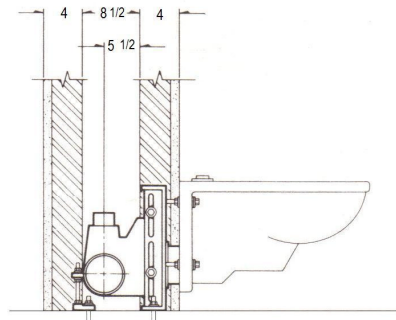
Vertical Adjustable Carriers



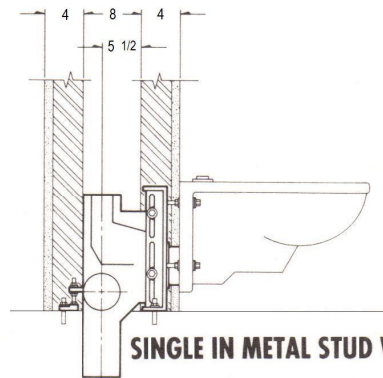
DOUBLE IN METAL STUD WALL



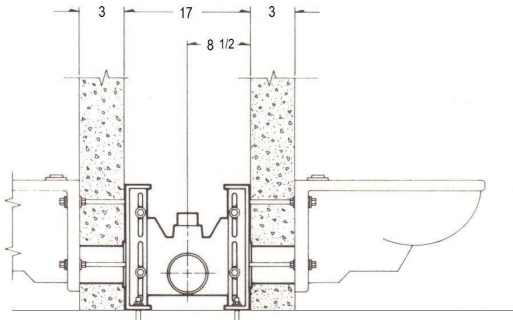
DOUBLE IN METAL STUD WALL



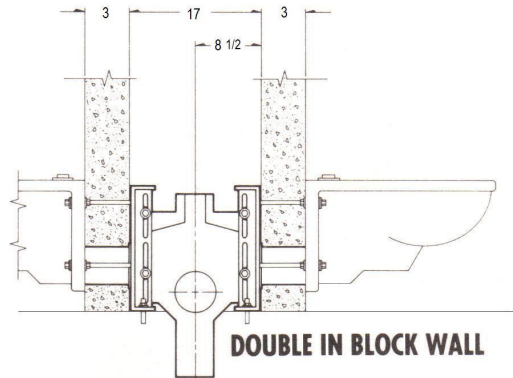
SINGLE IN METAL STUD WALL



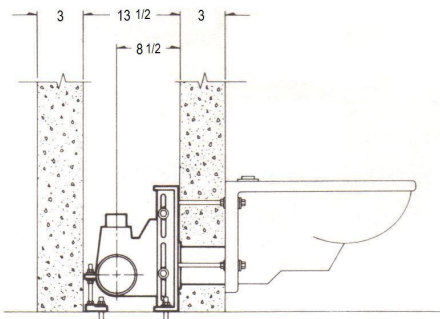
SINGLE IN METAL STUD WALL



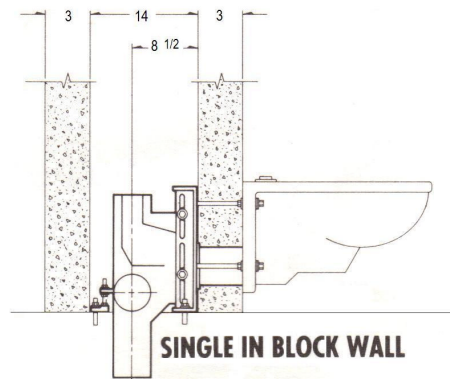
DOUBLE IN BLOCK WALL



DOUBLE IN BLOCK WALL



SINGLE IN BLOCK WALL

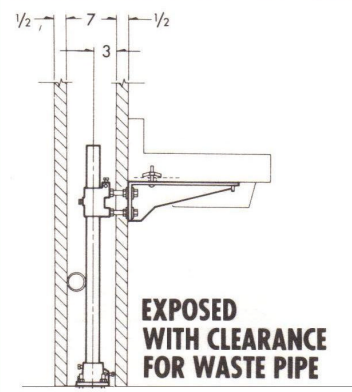
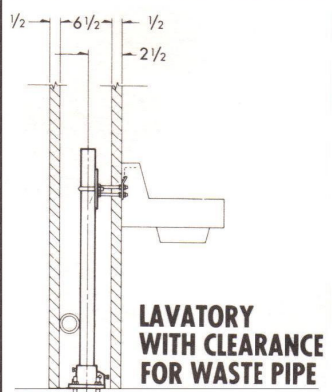
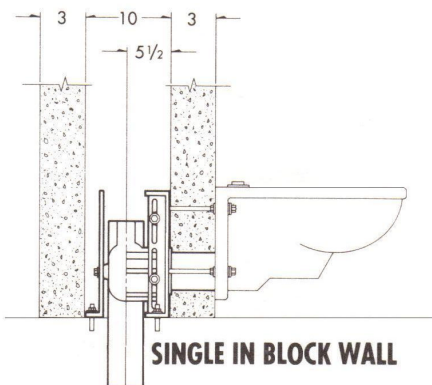
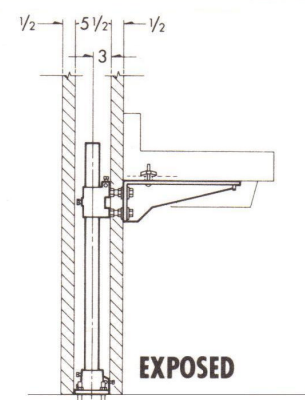
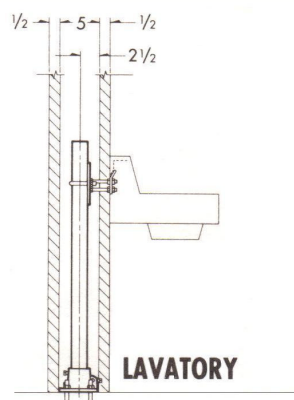
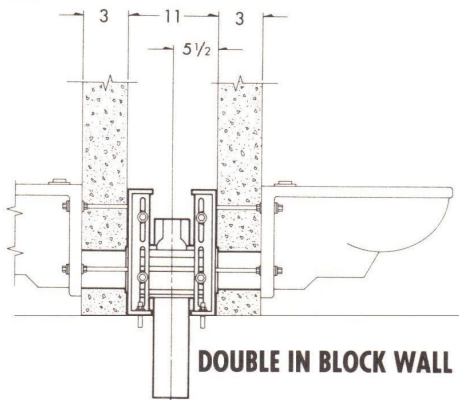
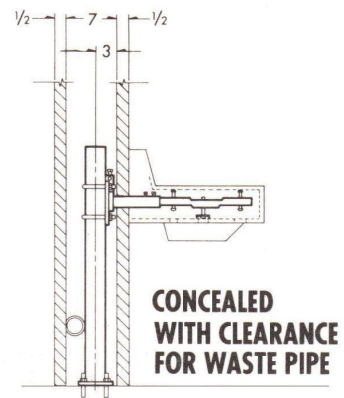
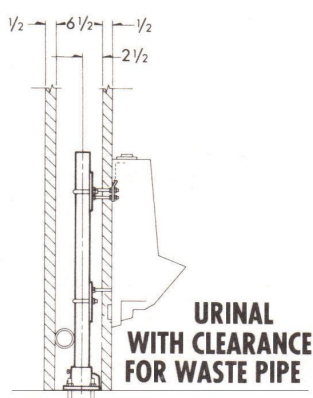
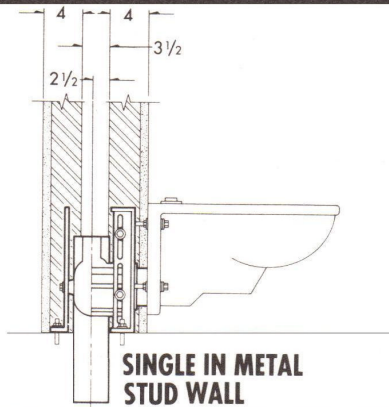
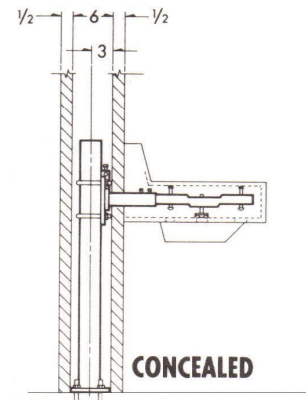
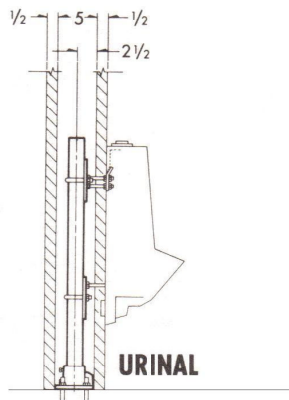
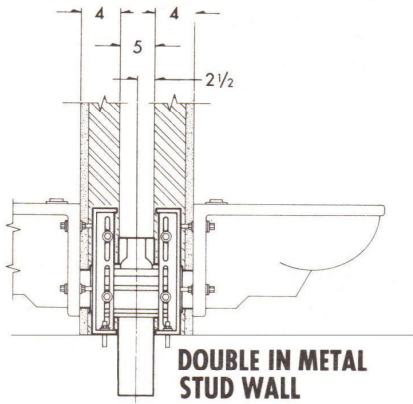


SINGLE IN BLOCK WALL

Vertical Fixed Carriers

Hanger Plate Carriers

Arm Lavatory Carriers





AN ASSOCIATION OF MANUFACTURERS OF PLUMBING AND DRAINAGE EQUIPMENT

PUBLICATIONS

PDI WH-201 Water Hammer Arrestor Standard

PDI G-101 Standard - Testing and Rating
Procedure for Grease Interceptors

PDI Code Guide 302 and Glossary of Industry Terms
Guide To Grease Interceptors ~ Eliminating the Mystery

MEMBER COMPANIES

ASHLAND POLYTRAP
P.O. Box 218
Williston, Ohio 43468

BIO-MICROBICS INC.
8450 Cole Parkway
Shawnee, KS 66227

CANPLAS INDUSTRIES, LTD.
500 Veterans Drive Box 1800
Barrie, Ontario Canada L4M 4V3

FLEXIAL CORPORATION
1483 Gould Drive P.O. Box 3105
Cookeville, TN 38501

G.K. & L, INC.
20910 Peachtree Road
Dickerson, MD 20842

INTERNATIONAL GRD
2940 Washington Blvd.
Baltimore, MD 21230

JAY R. SMITH MFG., CO.
2781 Gunter Drive East
Montgomery, AL 36109

JOSAM COMPANY
525 W. US Highway 20
Michigan City, IN 46360

LOWE ENGINEERING
1510 Stoyston Road
Friedens, PA 15541

MIFAB INC.
1321 West 119th St.
Chicago, IL 60643

ROCKFORD SEPARATORS
5159 28th Ave.
Rockford, IL 61109

THERMACO
646 Greensboro St.
Asheboro, NC 27203

TYLER PIPE/WADE
P.O. Box 2027
Tyler, TX 75710

WATTS REGULATOR CO.
815 Chestnut St.
North Andover, MA 01845

ZURN INDUSTRIES, INC.
1801 Pittsburgh Ave.
Erie, PA 16502

THE PLUMBING AND DRAINAGE INSTITUTE

800 Turnpike Street ~ Suite 300 ~ North Andover, MA 01845

Tel: 800- 589-8956 ~ Fax: 978- 557-0721

Web: www.PDIonline.org ~ E-Mail: pdi@PDIonline.org